



adler®

AX8 gPV 1000 / 1500VDC Fuse



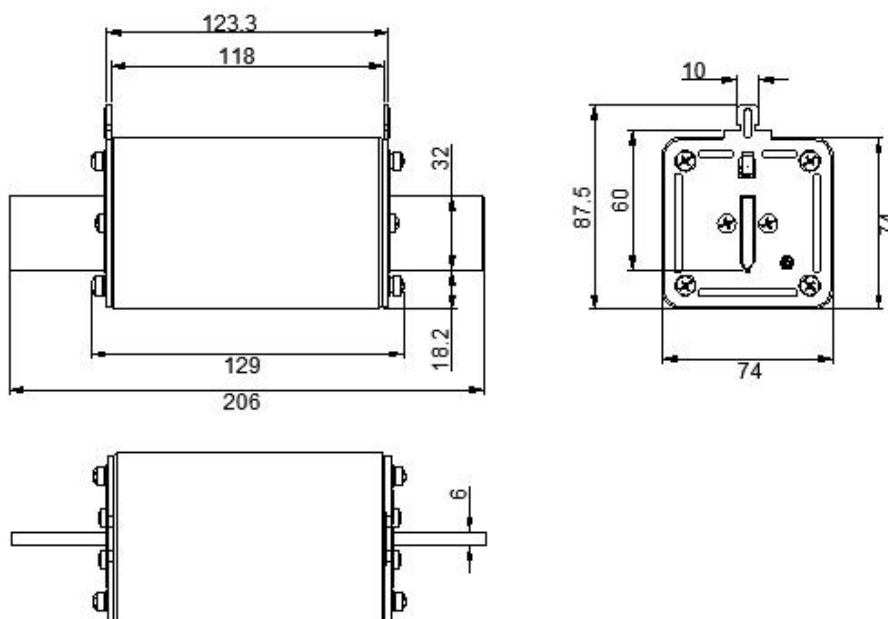
FEATURES:

- 1000 / 1500 VDC, PV fuse link
- Rated Current: 250-400 A
- Rated Breaking Capacity: 10 kA
(Self - Certificated: 50 kA)
- Time Constant: 1-3 ms
- Ref. to UL 248-19
- Approvals: UL (File:E490190)
- BH03L Fuse base

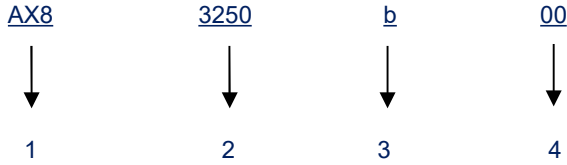
ELECTRICAL SPECIFICATIONS

Part Number	Rated Current	Ampere Code	Breaking Capacity	I ² t (A ² s)		Dissipation(W)		Certifications
				Pre-Arcing	Total at 1500 V	80% I _n	100% I _n	
AX83250700	250 A	3250	10 kA@1000 VDC	14432.8	81143.2	28	52.8	●
AX83315700	315 A	3315		33245.6	133088	33.6	62.4	●
AX83355700	355 A	3355		32942.4	145278.4	35.2	68	●
AX83400700	400 A	3400		45850	235600	48	87	●
AX83250b00	250 A	3250	10 kA@1500 VDC	18041	101429	35	66	●
AX83315b00	315 A	3315		41557	166360	42	78	●
AX83355b00	355 A	3355		41178	181598	44	85	●
AX83400b00	400 A	3400		53391	247188	46	88	●

DIMENSIONS (mm)



PART NUMBER SYSTEM



- 1Product Series AX8
- 2 Ampere Code 250 A (see ampere code column of electrical specifications)
- 3Rated Voltage..... 7: 1000 V; b: 1500 V
- 4 Supplementary Code 00: default

