



A84 gPV 1500 Vdc Fuse 14x51 mm



FEATURES:

- 1500 Vdc, 14x51 mm PV fuse link with glass-fiber body
- Rated Current: 1-32 A (regular use)
- 1-50 A (single mount inline fuse)
- Breaking Capacity: 10 kA at 1500 Vdc
- Time Constant: 1-3 ms
- Special design with silver plated caps for high-power PV applications
- Customizable for special application
- BH200, BH201 holders for DIN rail mounting

APPLICATIONS:

- PV combiner / junction boxes
- Inverters
- Battery Charge Controllers

AGENCY INFORMATION

- Comply to: UL248-19; IEC 60269-6
- Approvals: UL (E490190); TUV (50482515)
- Manufactured under IATF 16949 quality system
- RoHS and REACH Compliant

ELECTRICAL SPECIFICATIONS

Part Number	Rated Current	Ampere Code	Breaking Capacity	Cold Resistance (mΩ)	I ² t (A ² s)		Certifications	
					Pre-Arcing	Total	UL	TUV
A841100b00	1 A	1100	10 kA@ 1500 Vdc	682.00~1023.00	20	110	●	●
A841200b00	2 A	1200		247.48~371.22	40	220	●	●
A841300b00	3 A	1300		125.92~188.88	60	330	●	●
A841400b00	4 A	1400		71.58~107.36	80	440	●	●
A841500b00	5 A	1500		44.37~66.55	100	550	●	●
A841600b00	6 A	1600		37.92~56.88	120	660	●	●
A841800b00	8 A	1800		26.30~39.44	160	880	●	●
A842100b00	10 A	2100		12.34~18.51	200	1100	●	●
A842120b00	12 A	2120		10.22~15.34	240	1320	●	●
A842150b00	15 A	2150		6.83~10.25	300	1650	●	●
A842160b00	16 A	2160		6.83~10.25	320	1760	●	●
A842200b00	20 A	2200		5.07~7.61	400	2200	●	●
A842250b00	25 A	2250		3.42~5.13	500	2750	●	●
A842300b00	30 A	2300		2.85~4.27	600	3300	●	●
A842320b00	32 A	2320		2.53~3.79	640	3520	●	●
-								
-								
-								
-								

Part Number			Rated Current	Ampere Code	Breaking Capacity	Cold Resistance (mΩ)	I ² t (A ² s)		Dissipation (W)		Certifications
Level Mount	PCB Mount	Central Mount					Pre-Arcing	Total	0.8 I _n	1.0 I _n	UL
A841100b03	A841100b05	A841100b09	1 A	1100	10 kA@1500 Vdc	682~1023	20	110	0.1	0.1	○
A841200b03	A841200b05	A841200b09	2 A	1200		247.48~371.22	40	220	0.2	0.3	○
A841300b03	A841300b05	A841300b09	3 A	1300		125.92~188.88	60	330	0.3	0.4	○
A841400b03	A841400b05	A841400b09	4 A	1400		71.57~107.37	80	440	0.4	0.6	○
A841500b03	A841500b05	A841500b09	5 A	1500		44.37~66.57	100	550	0.5	0.7	○
A841600b03	A841600b05	A841600b09	6 A	1600		37.92~56.88	120	660	0.6	0.9	○
A841800b03	A841800b05	A841800b09	8 A	1800		26.29~39.45	160	880	0.9	1.1	○
A842100b03	A842100b05	A842100b09	10 A	2100		12.34~18.51	200	1100	1.1	1.4	○
A842120b03	A842120b05	A842120b09	12 A	2120		10.22~15.34	240	1320	1.3	1.7	○
A842150b03	A842150b05	A842150b09	15 A	2150		6.83~10.25	300	1650	1.6	2.2	○
A842160b03	A842160b05	A842160b09	16 A	2160		6.83~10.25	320	1760	1.7	2.4	○
A842200b03	A842200b05	A842200b09	20 A	2200		5.00~7.50	400	2200	2.1	2.9	○
A842250b03	A842250b05	A842250b09	25 A	2250		3.42~5.13	500	2750	2.7	3.6	○
A842300b03	A842300b05	A842300b09	30 A	2300		2.85~4.28	600	3300	3.2	4.3	○
A842320b03	A842320b05	A842320b09	32 A	2320		2.52~3.79	640	3520	3.4	4.6	○
A842350b03	A842350b05	A842350b09	35 A	2350		2.40~3.60	700	3850	3.7	5	○
A842400b03	A842400b05	A842400b09	40 A	2400		2.02~3.04	800	4400	4.3	5.7	○
A842450b03	A842450b05	A842450b09	45 A	2450		1.76~2.65	900	4950	4.8	6.5	○
A842500b03	A842500b05	A842500b09	50 A	2500		1.54~2.32	1000	5500	5.3	7.2	○

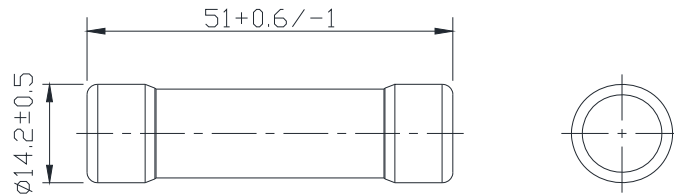
Note: (1) Typical pre-arcing I²t measured at 10*I_n current

TIME VS CURRENT CHARACTERISTIC

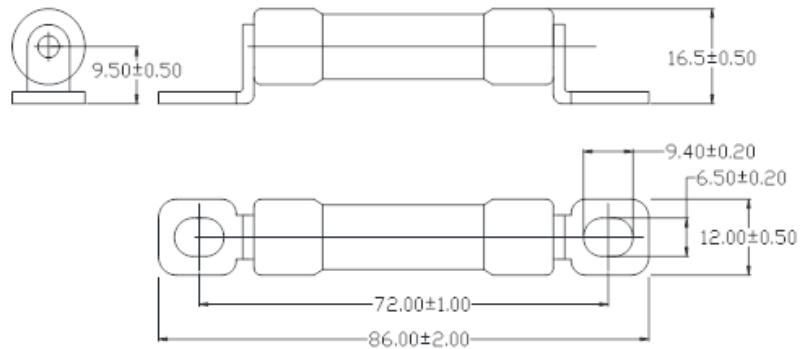
Standard	UL			IEC			
	Rated Current	100 %	135 %	200 %	100 %	113 %	145 %
1-50 A	Temperature Stabilization	<1 h	<4 min	Temperature Stabilization	>1 h	<1 h	

DIMENSIONS (mm)

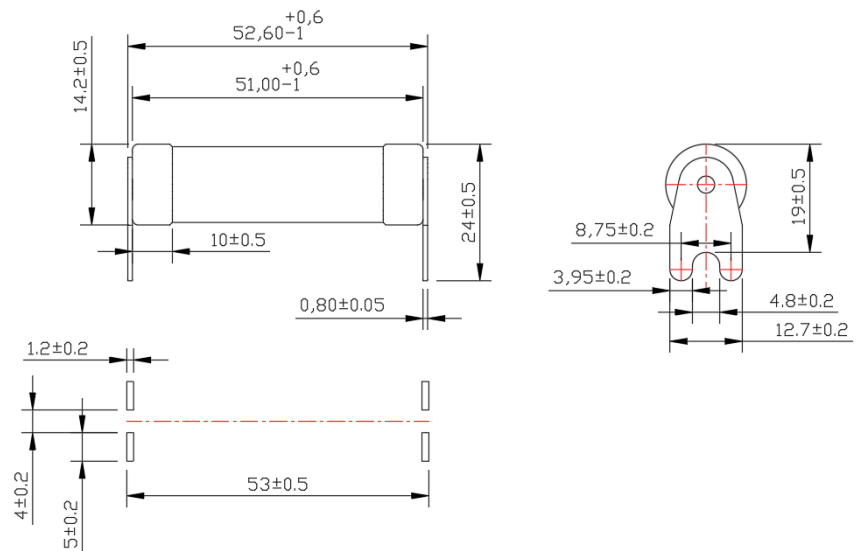
A84xxxxb00



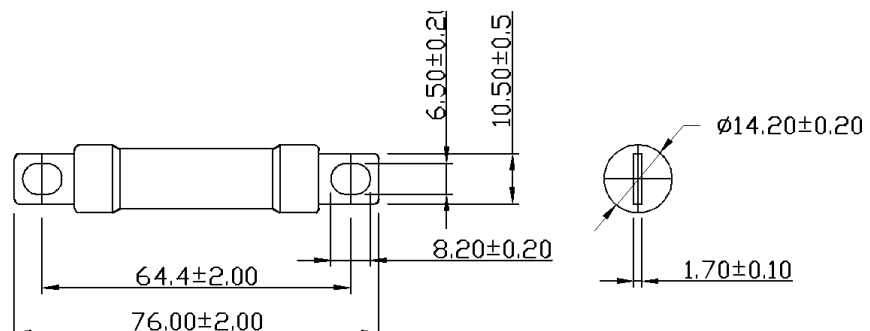
A84xxxxb03



A84xxxxb05

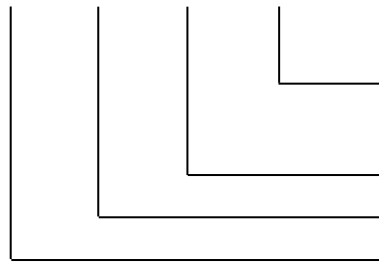


A84xxxxb09



PART NUMBERING SYSTEM

A84 2500 b 00



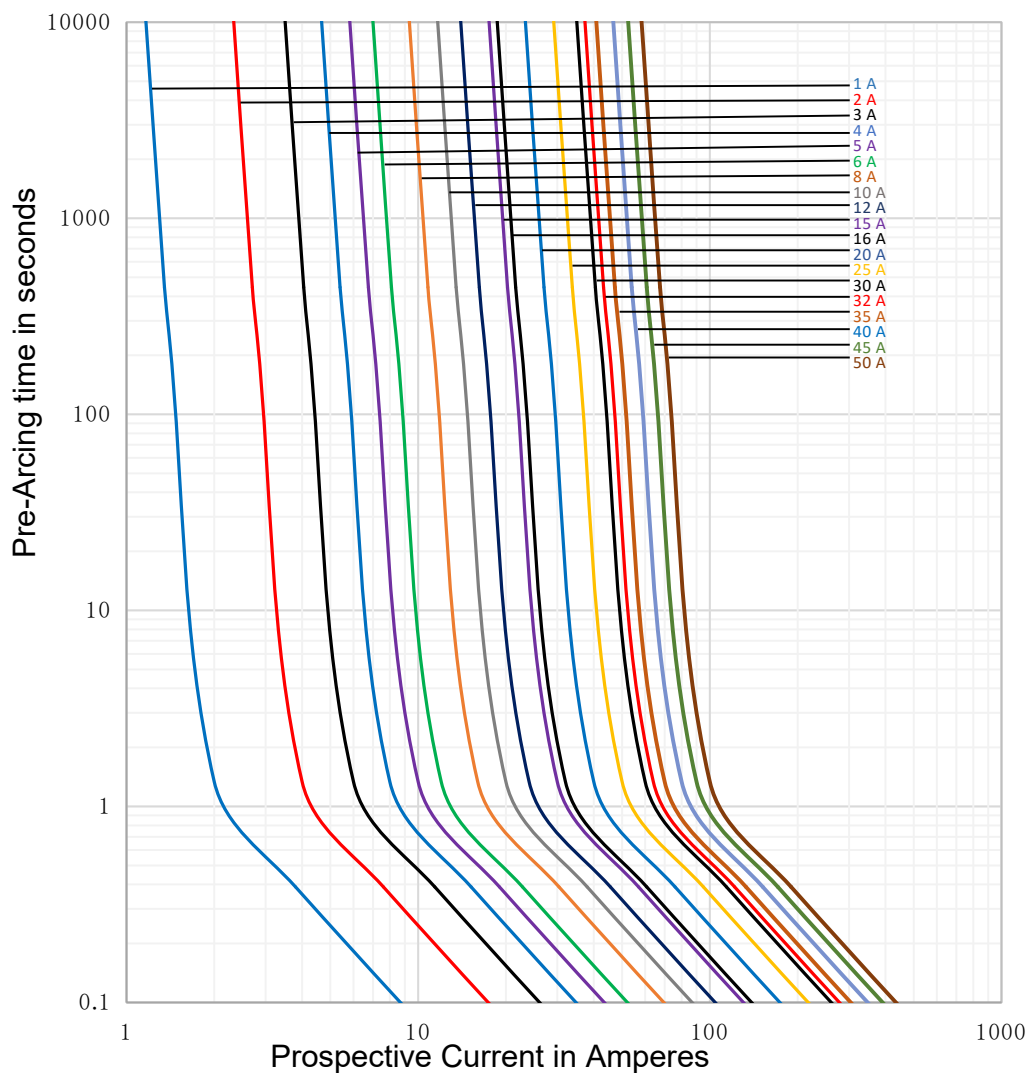
Supplementary Code: 00: Cylindrical;
 03: Level Mount;
 05: PCB Mount;
 09: Central Mount

Rated Voltage: b: 1500 V

Ampere Code: 50 A (see ampere code column of electrical specifications)

Product Series: A84

Time Current Curve (reference)



WEB RESOURCES

Download the latest technical documents: www.adlerelectric.com. Specifications are subject to change without notice.