

A75 gPV 1500 Vdc Fuse 10x85 mm



FEATURES:

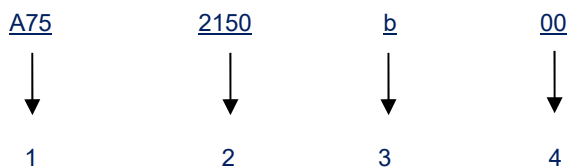
- 1500 Vdc, 10x85 mm PV fuse link
- Rated Current: 2-32 A
- Rated Breaking Capacity: 30 kA@1500Vdc
- Time Constant: ≤1 ms
- Special design for high-power PV application
- Standard: UL 248-19
- Approval: UL (File: E490190)
- BH300 Holder for DIN rail mounting

ELECTRICAL SPECIFICATIONS

Part Number	Rated Current	Ampere Code	Breaking Capacity	I ² t (A ² s)		Dissipation (W)		Certifications
				Pre-Arcing	Total at 1500V	0.8I _n	1.0I _n	
A751200b00	2 A	1200	30 kA@1500 Vdc	3.5	10	1.45	2.6	●
A751400b00	4 A	1400		15	50	1.55	2.8	●
A752100b00	10 A	2100		300	1100	2.3	4.2	●
A752120b00	12 A	2120		20	60	2.4	4.2	●
A752150b00	15 A	2150		35	95	2.8	5.0	●
A752200b00	20 A	2200		115	820	3.3	6.2	●
A752250b00	25 A	2250		175	1300	4.0	5.7	●
A752300b00	30 A	2300		241	1950	4.5	7.5	●
A752320b00	32 A	2320		283	2190	4.9	8.5	●

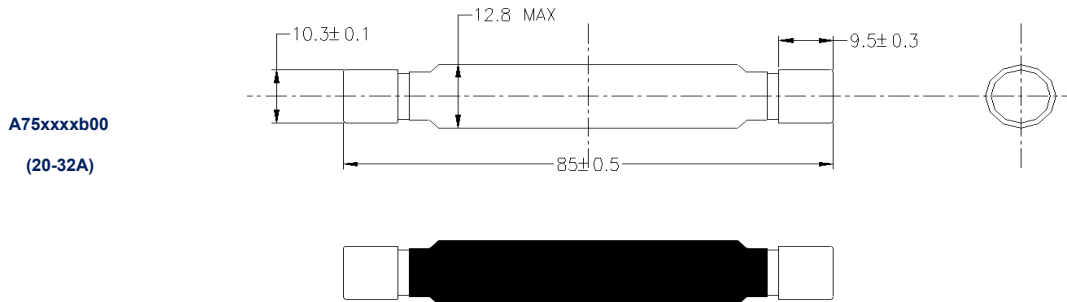
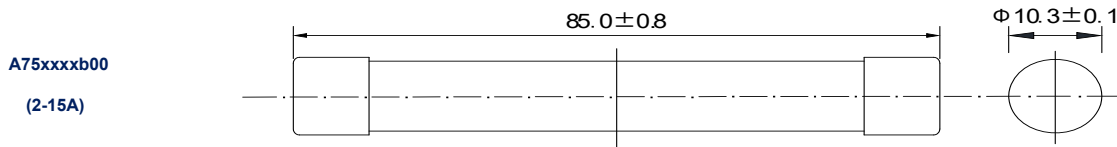
Note: (1) Typical pre-arcing I²t measured at 10*I_n current

PART NUMBER SYSTEM



- 1Product Series A75
- 2Ampere Code 15 A (see ampere code column of electrical specifications)
- 3Rated Voltage..... b: 1500 V
- 4 Supplementary Code 00: default

DIMENSIONS (mm)



TIME VS CURRENT CHARACTERISTIC

Rated Current	100 %	135 %	200 %
2-32 A	>4 h	<1 h	<4 min

Time Current Curve (reference)

