



## A73 10X38mm 1000Vdc gPV FUSE



### FEATURES

- Reliable clearing of DC fault currents
- High cycling performance
- High breaking capacity to 30kA
- Operation as low as 200% I<sub>n</sub> overload protection
- Full coverage of battery module current
- QR code marks on each fuse for traceability
- Special design with silver plated caps for high-power PV applications
- BH 100-01, BH10-02 holders for DIN rail mounting

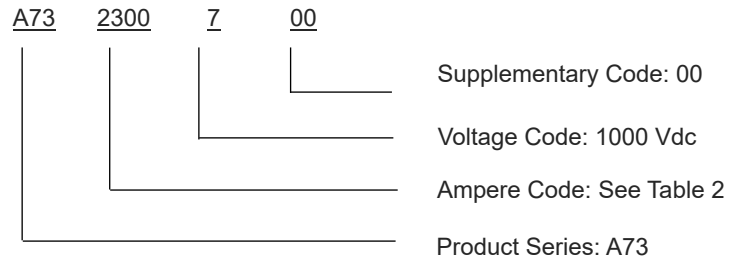
### DESCRIPTION

Adler A73 series gPV fuses are specially engineered and tested to provide best-in-class protection performance in protecting high power battery charging and managing systems of Electrical Vehicles and Hybrid Electrical Vehicles, up to 1000 Vdc in ratings from 1A to 30A.

### AGENCY INFORMATION

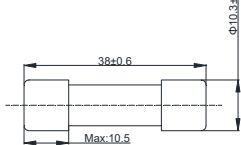
- Designed to UL 248-19
- Manufactured under IATF 16949 quality system
- RoHS and REACH Compliant

### PART NUMBERING SYSTEM

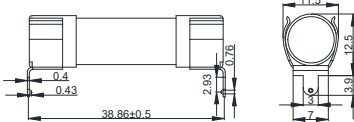


### DIMENSIONS (mm):

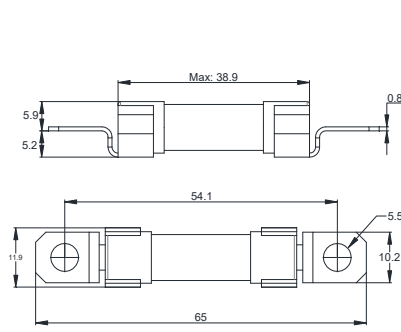
A73xxx700



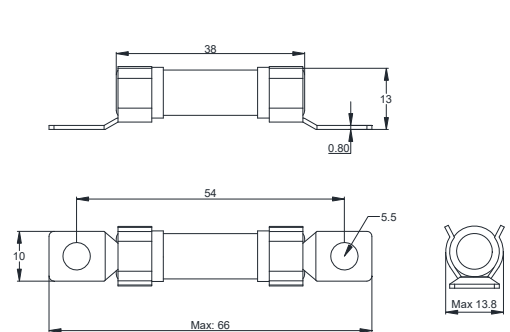
A73xxx703



A73xxx701



A73xxx702





ELECTRICAL SPECIFICATIONS

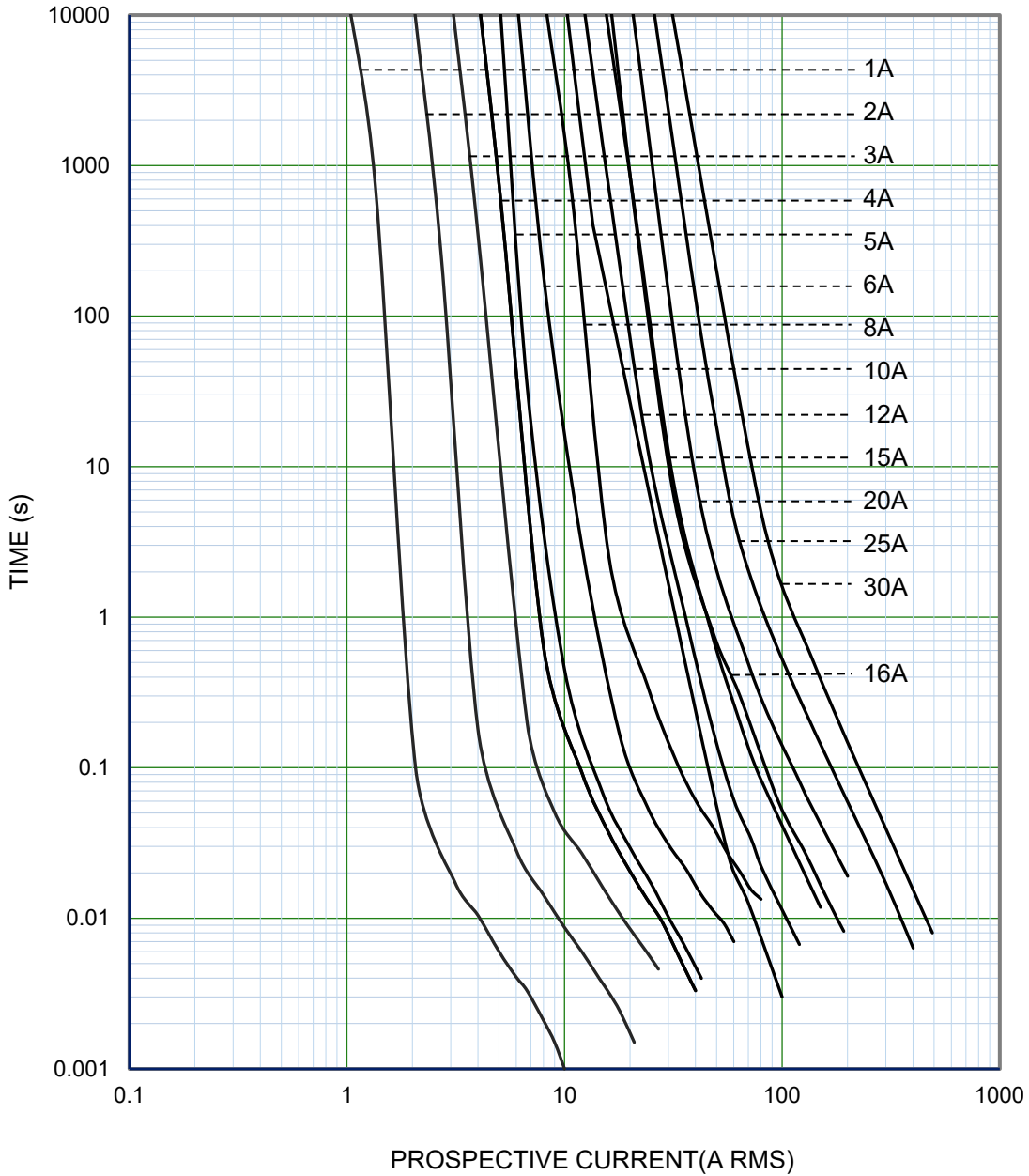
Size	Part Number				Rated Current	Ampere Code	Rated Voltage	Breaking Capacity		Pre-Arcing I <sup>2</sup> t (A <sup>2</sup> s)	Total I <sup>2</sup> t (A <sup>2</sup> s)	Watt Loss(W)	
	(mm)	Cartridge	Central Mount	Level Mount				PCB Mount	UL			Self-Certified	0.8 I <sub>n</sub>
10x38	A731100700	A731100701	A731100702	A731100703	1A	1100	1000Vdc	30kA	-	0.15	0.4	0.8	1.5
	A731200700	A731200701	A731200702	A731200703	2A	1200	1000Vdc	30kA	-	1.3	3.4	0.7	1.1
	A731300700	A731300701	A731300702	A731300703	3A	1300	1000Vdc	30kA	-	4	12	0.8	1.3
	A731400700	A731400701	A731400702	A731400703	4A	1400	1000Vdc	30kA	-	10	28	1.1	1.4
	A731500700	A731500701	A731500702	A731500703	5A	1500	1000Vdc	30kA	-	19	50	1.1	1.4
	A731600700	A731600701	A731600702	A731600703	6A	1600	1000Vdc	30kA	-	32	93	1.2	1.8
	A731800700	A731800701	A731800702	A731800703	8A	1800	1000Vdc	30kA	-	85	205	1.2	2.2
	A732100700	A732100701	A732100702	A732100703	10A	2100	1000Vdc	30kA	-	30	70	1.3	2.3
	A732120700	A732120701	A732120702	A732120703	12A	2120	1000Vdc	30kA	-	98	150	1.5	2.8
	A732150700	A732150701	A732150702	A732150703	15A	2150	1000Vdc	30kA	-	149	230	1.8	3.0
	A732160700	A732160701	A732160702	A732160703	16A	2160	1000Vdc	-	30kA	200	300	2.1	3.1
	A732200700	A732200701	A732200702	A732200703	20A	2200	1000Vdc	30kA	-	229	330	2.4	3.6
	A732250700	A732250701	A732250702	A732250703	25A	2250	1000Vdc	30kA	-	411	500	2.6	4.1
	A732300700	A732300701	A732300702	A732300703	30A	2300	1000Vdc	30kA	-	1200	2500	4.6	5.7

1. \*\* --- UL File: E490190
2. Time Constant: 1-3 ms
3. Typical Pre-arcing I<sup>2</sup>t are measured at 10I<sub>n</sub> Current

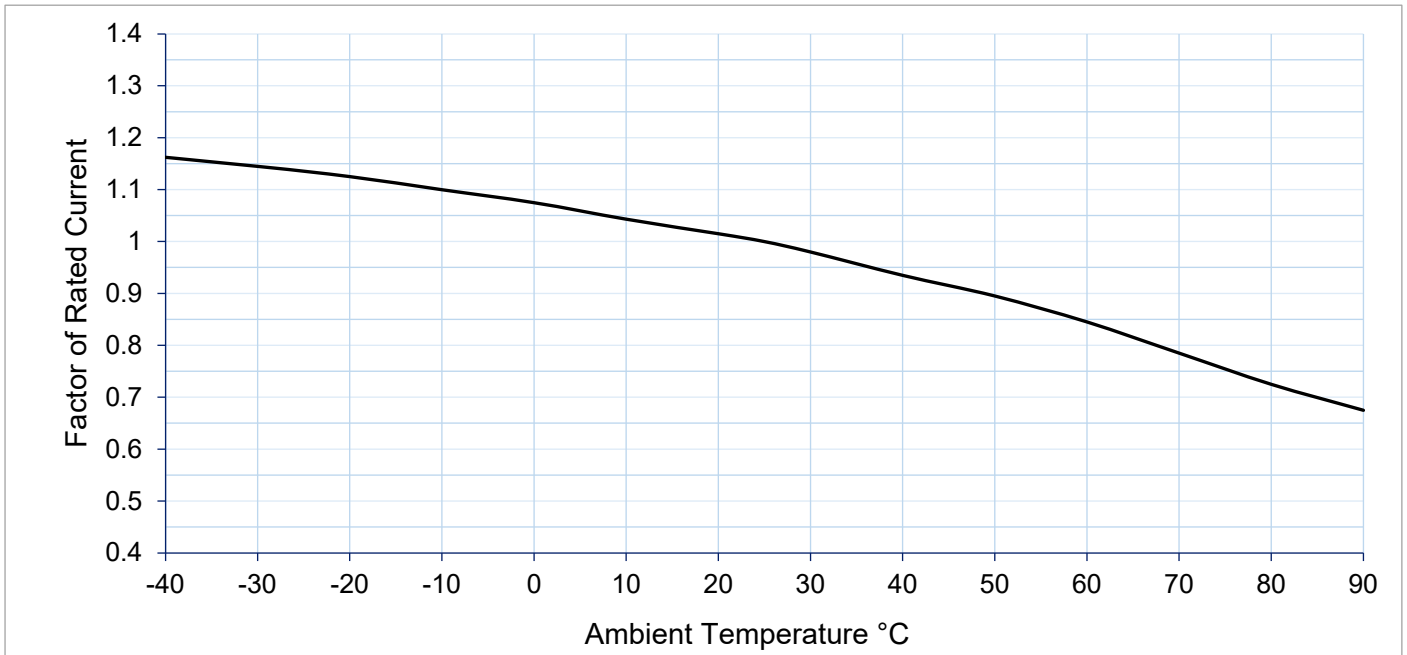


TIME CURRENT CURVE

A73 1A – 30A



### TEMPERATURE DERATING CURVE



Operating temperature: -40°C ~ 90°C (with proper re-rating factor)

### WEB RESOURCES

Download the latest technical documents: [www.adlerelectric.com](http://www.adlerelectric.com). Specifications are subject to change without notice.