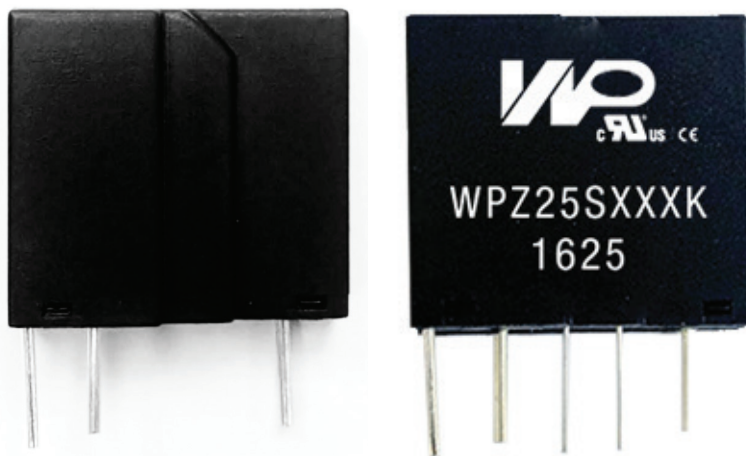


# WPZ25S Series

## Thermally Protected Varistors

### APPLICATIONS

- TVSS products
- AC panel protection modules
- AC line power supplies
- Surge protected strip connectors
- AC power meters
- Relocatable AC power taps
- UPS (Uninterruptible Power Supply)
- White goods
- GFCI (Ground Fault Current Interrupter)
- Plug-in TVSS
- Inverters
- AC/DC power supplies



### FEATURES

- RoHS compliant
- Low leakage
- -55°C to +85°C operating temp range
- Wave solderable
- Available with remote signal function micro switch.

### AGENCY APPROVALS

- UL Pending

### ABSOLUTE MAXIMUM RATINGS

CONTINUOUS	VALUE	UNITS
Operating Ambient Temperature Range (TA)	-40~+85	°C
Storage Temperature Range (TSTG)	-55~+125	°C
Temperature Coefficient ( $\alpha_V$ ) of Clamping Voltage ( $V_C$ ) at Specified Test Current	<0.01	%/°C
Hi-Pot Encapsulation (COATING Isolation Voltage Capability)	2500	V
Thermal Protection Isolation Voltage Capability (when operated)	1000	V
COATING Insulation Resistance	100	MΩ

**Date Code (i.e.: 1625)** = First two digits represent year (16 = 2016).  
Remaining digits represent the week of the year (25 = week 25).

\* All specs and applications shown above subject to change without prior notice.

# WPZ25S Series

## Thermally Protected Varistors

### Specifications

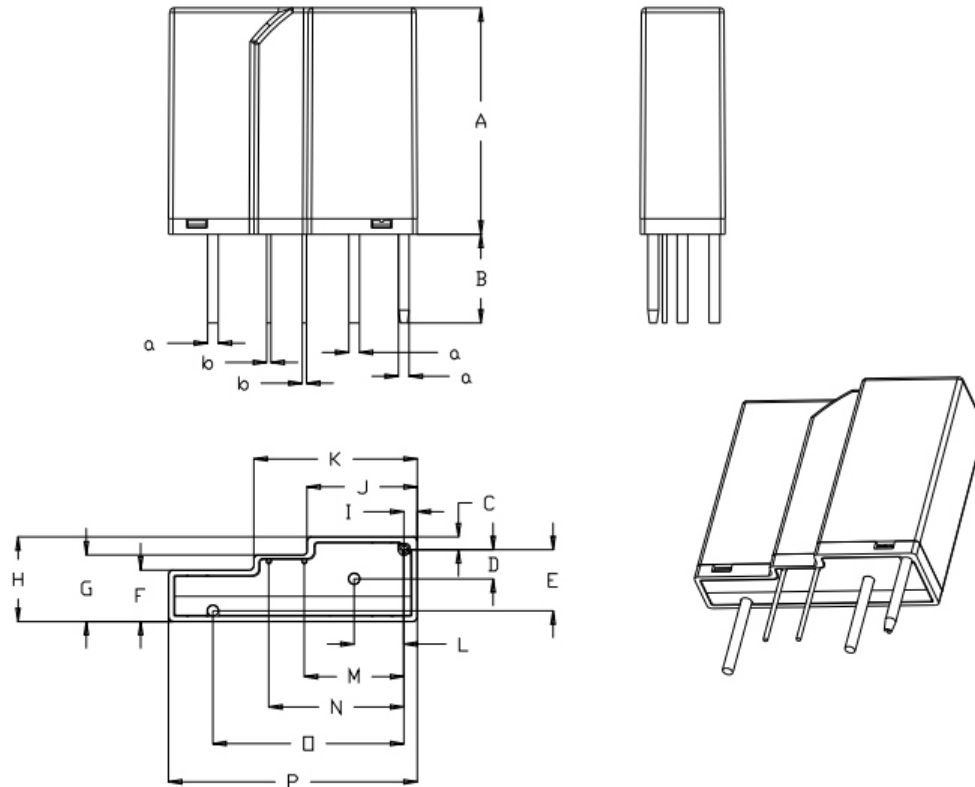
PART NUMBER	Maximum Allowable Voltage		Varistor Voltage		Clamping Voltage (max.)		Maximum peak Current 8/20us		Maximum Energy (Joule)	Typical Capacitance (Reference)						
	AC.Rms (V)	DC (V)	V1.0mA (V)		VC (V)	IP (A)	In.15 times (KA)	I max.	10/1000 μs	@ 1KHz (pf)						
			Min.	Max.												
WPZ25S270K*	17	22	24	31	53	35	3	6	33	30000						
WPZ25S330K*	20	26	30	37	65				4	8	42	24500				
WPZ25S390K*	25	31	35	44	77						5	10	49	21000		
WPZ25S470K*	30	38	42	52	93		72	14500	60	17250						
WPZ25S560K*	35	45	50	63	110				85	9500			72	14500		
WPZ25S680K*	40	56	61	75	135		175	8			16	85	9500			
WPZ25S820K*	50	65	74	90	135	98			8800	98		8800				
WPZ25S101K*	60	85	90	110	165					122		7200	122	7200		
WPZ25S121K*	75	100	108	132	200								146	6000	146	6000
WPZ25S151K*	95	125	135	165	250										185	4400
WPZ25S181K*	115	150	162	198	300					218		3650	218	3650		
WPZ25S201K*	130	170	185	225	340								252	3300	252	3300
WPZ25S221K*	140	180	198	242	360	280			3000	280		3000				
WPZ25S241K*	150	200	222	270	395					302		2800	302	2800		
WPZ25S271K*	180	225	256	310	455	340			2450				340	2450		
WPZ25S301K*	190	250	270	330	500					375		2200	375	2200		
WPZ25S331K*	210	275	297	363	550	410			2050				410	2050		
WPZ25S361K*	230	300	324	396	595			465		1850	465	1850				
WPZ25S391K*	250	320	362	440	650	520			1700		520	1700				
WPZ25S431K*	275	350	387	473	710			575		1600	575	1600				
WPZ25S471K*	300	385	423	517	775	630			1450		630	1450				
WPZ25S511K*	320	415	459	561	845			665		1300	665	1300				
WPZ25S561K*	350	460	504	616	925	720			1200		720	1200				
WPZ25S621K*	385	505	558	682	1025			790		1100	790	1100				
WPZ25S681K*	420	560	612	748	1120	790			1000		790	1000				
WPZ25S751K*	460	615	675	825	1240			825		900	825	900				
WPZ25S781K*	485	640	702	858	1290	860			850		860	850				
WPZ25S821K*	510	670	738	902	1355			900		810	900	810				
WPZ25S911K*	550	745	819	1001	1500	950			750		950	750				
WPZ25S102K*	625	825	900	1100	1650		1040	660		1040	660					
WPZ25S112K*	680	895	990	1210	1815	1130			605	1130	605					
WPZ25S122K*	750	980	1150	1320	1980		1170	555								

\* = For Remote Signal Function/Micro Switch add suffix "-IT" to part number. Example: WPZ25S270K-IT.

# WPZ25S Series

## Thermally Protected Varistors (with micro switch suffix “-IT” option)

### Dimensions



#### WP25S270K - WP25S241K

A: 25.5±1.0	B: 10.0±0.5	C: 1.45±0.1	D: 3.3±0.5	E: 6.9±0.5	F: 5.8±0.5
G: 7.5±0.5	H: 9.55±1.0	I: 1.5±0.1	J: 12.4±0.5	K: 18.4±0.5	L: 5.6±0.5
M: 11.2±0.5	N: 15.2±0.5	O: 21.5±0.5	P: 28±1.0	a: 1.2±0.1	b: 0.5±0.1

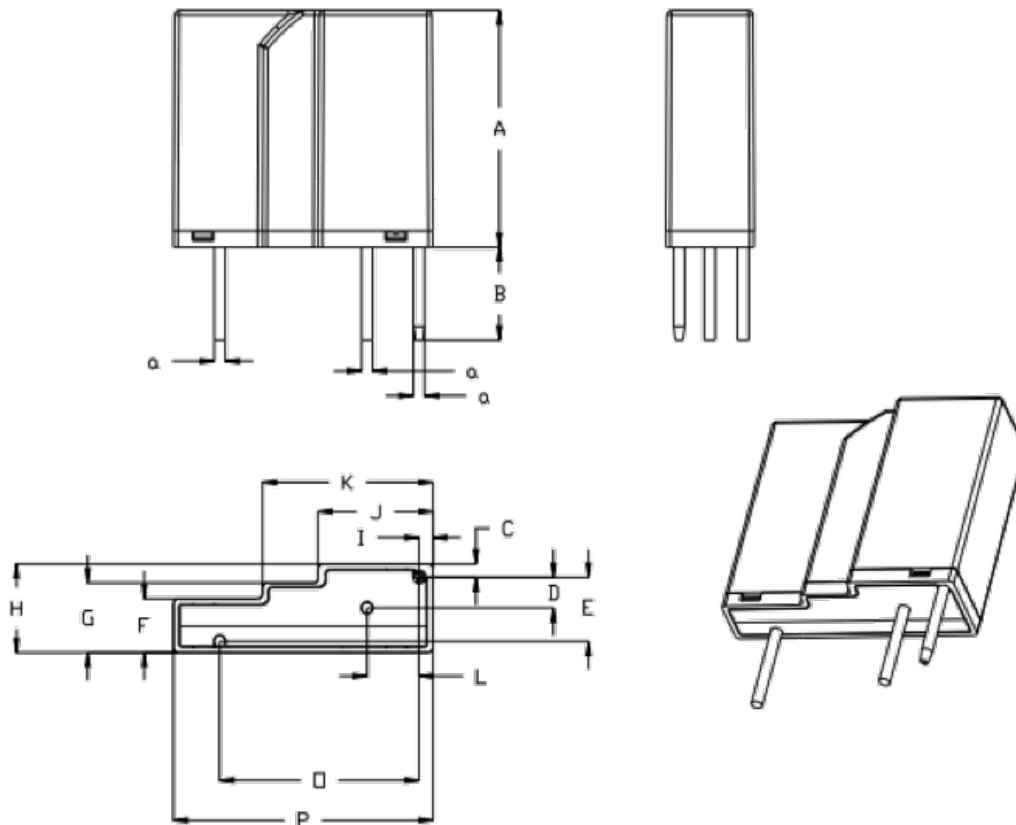
#### WP25S271K - WP25S122K

A: 25.5±1.0	B: 10.0±0.5	C: 1.45±0.1	D: 3.3±0.5	E: 9.8±0.5	F: 8.7±0.5
G: 10.4±0.5	H: 12.45±1.0	I: 1.5±0.1	J: 12.4±0.5	K: 18.4±0.5	L: 5.6±0.5
M: 11.2±0.5	N: 15.2±0.5	O: 21.5±0.5	P: 28±1.0	a: 1.2±0.1	b: 0.5±0.1

# WPZ25S Series

## Thermally Protected Varistors (without micro switch)

### Dimensions



#### WP25S270K - WP25S241K

A: 25.5±1.0	B: 10.0±0.5	C: 1.45±0.1	D: 3.3±0.5	E: 6.9±0.5
G: 7.5±0.5	H: 9.55±1.0	I: 1.5±0.1	J: 12.4±0.5	K: 18.4±0.5
O: 21.5±0.5	P: 28±1.0	a: 1.2±0.1	F: 5.8±0.5	L: 5.6±0.5

#### WP25S271K - WP25S122K

A: 25.5±1.0	B: 10.0±0.5	C: 1.45±0.1	D: 3.3±0.5	E: 9.8±0.5
G: 10.4±0.5	H: 12.45±1.0	I: 1.5±0.1	J: 12.4±0.5	K: 18.4±0.5
O: 21.5±0.5	P: 28±1.0	a: 1.2±0.1	F: 8.7±0.5	L: 5.6±0.5

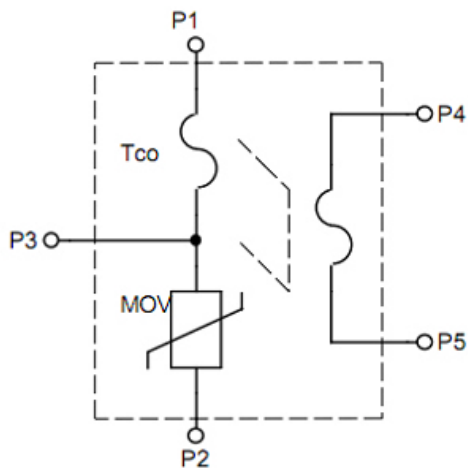
# WPZ25S Series

## Thermally Protected Varistors

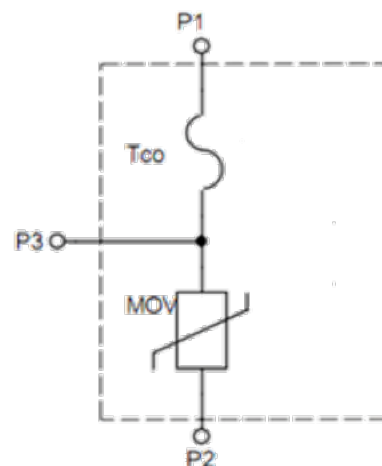
### Environmental Specifications

<b>Passive Aging</b>	+85, 1000 hours $\pm 10\%$ typical voltage change
<b>Humidity Aging</b>	+85, 85% RH, 1000 hours $\pm 10\%$ typical voltage change
<b>Thermal Shock</b>	+85 to -40 5 times $\pm 10\%$ typical voltage change
<b>Solvent Resistance</b>	MIL-STD-202, Method 215F
<b>Moisture Sensitivity</b>	Level 1, J-STD-020C

### Lead Configurations (with microswitch)



### Lead Configurations (without microswitch)



# WPZ25S Series

## Thermally Protected Varistors

### Packing

**Plastic Tray**  
342x245x18mm  
48 PCS per tray



**Outside Box**  
350x260x150mm  
384 PCS per carton

