

WPZ25S Series

Thermally Protected Varistors

APPLICATIONS

- TVSS products
- AC panel protection modules
- AC line power supplies
- Surge protected strip connectors
- AC power meters
- Relocatable AC power taps
- UPS (Uninterruptible Power Supply)
- White goods
- GFCI (Ground Fault Current Interrupter)
- Plug-in TVSS
- Inverters
- AC/DC power supplies



FEATURES

- RoHS compliant
- Low leakage
- -55°C to +85°C operating temp range
- Wave solderable
- Available with remote signal function micro switch.

AGENCY APPROVALS

- UL Pending

ABSOLUTE MAXIMUM RATINGS

CONTINUOUS	VALUE	UNITS
Operating Ambient Temperature Range (TA)	-40~+85	°C
Storage Temperature Range (TSTG)	-55~+125	°C
Temperature Coefficient (α_V) of Clamping Voltage (V_C) at Specified Test Current	<0.01	%/°C
Hi-Pot Encapsulation (COATING Isolation Voltage Capability)	2500	V
Thermal Protection Isolation Voltage Capability (when operated)	1000	V
COATING Insulation Resistance	100	MΩ

Date Code (i.e.: 1625) = First two digits represent year (16 = 2016).
Remaining digits represent the week of the year (25 = week 25).

* All specs and applications shown above subject to change without prior notice.

WPZ25S Series

Thermally Protected Varistors

Specifications

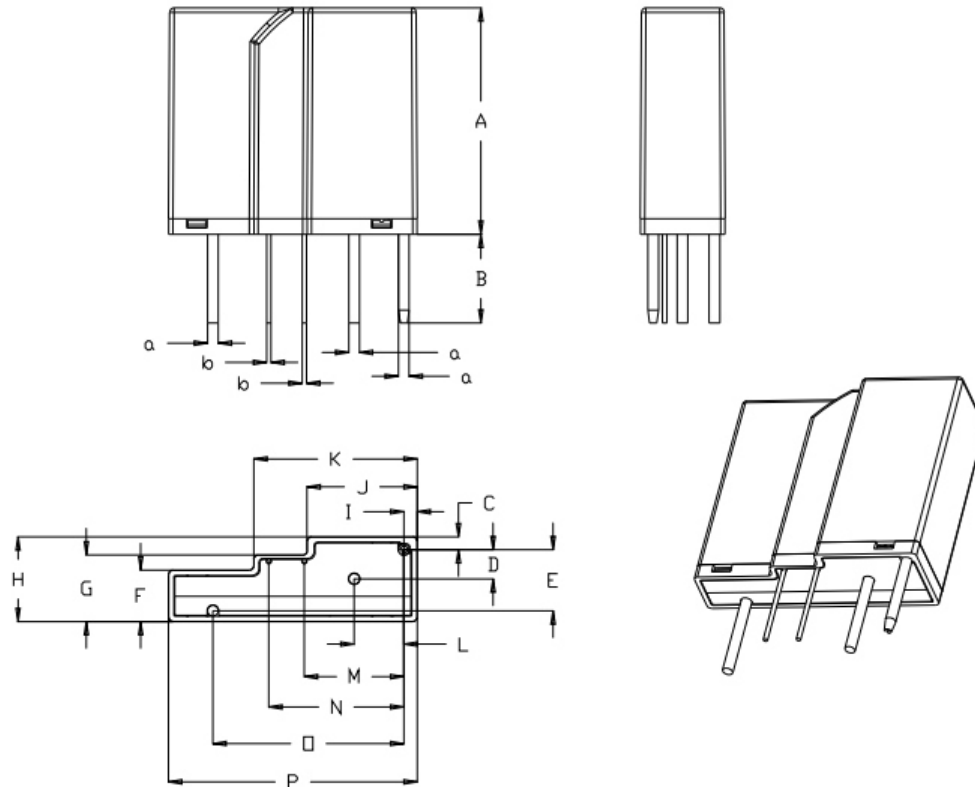
PART NUMBER	Maximum Allowable Voltage		Varistor Voltage		Clamping Voltage (max.)		Maximum peak Current 8/20us		Maximum Energy (Joule)	Typical Capacitance (Reference)						
	AC.Rms (V)	DC (V)	V1.0mA (V)		VC (V)	IP (A)	In.10 times (KA)	I max.	10/1000 μs	@ 1KHz (pf)						
			Min.	Max.												
WPZ25S270K*	17	22	24	31	53	35	3	6	33	30000						
WPZ25S330K*	20	26	30	37	65				4	8	42	24500				
WPZ25S390K*	25	31	35	44	77						5	10	49	21000		
WPZ25S470K*	30	38	42	52	93		72	14500	60	17250						
WPZ25S560K*	35	45	50	63	110				85	9500			72	14500		
WPZ25S680K*	40	56	61	75	135		175	8			16	85	9500			
WPZ25S820K*	50	65	74	90	135	98			8800	122		7200				
WPZ25S101K*	60	85	90	110	165					146		6000	146	6000		
WPZ25S121K*	75	100	108	132	200								185	4400	185	4400
WPZ25S151K*	95	125	135	165	250										218	3650
WPZ25S181K*	115	150	162	198	300					252		3300	252	3300		
WPZ25S201K*	130	170	185	225	340								280	3000	280	3000
WPZ25S221K*	140	180	198	242	360	302			2800	302		2800				
WPZ25S241K*	150	200	222	270	395					340		2450	340	2450		
WPZ25S271K*	180	225	256	310	455	375			2200				375	2200		
WPZ25S301K*	190	250	270	330	500					410		2050	410	2050		
WPZ25S331K*	210	275	297	363	550	465			1850				465	1850		
WPZ25S361K*	230	300	324	396	595			520		1700	520	1700				
WPZ25S391K*	250	320	362	440	650	575			1600		575	1600				
WPZ25S431K*	275	350	387	473	710			630		1450	630	1450				
WPZ25S471K*	300	385	423	517	775	665			1300		665	1300				
WPZ25S511K*	320	415	459	561	845			720		1200	720	1200				
WPZ25S561K*	350	460	504	616	925	790			1100		790	1100				
WPZ25S621K*	385	505	558	682	1025			790		1000	790	1000				
WPZ25S681K*	420	560	612	748	1120	825			900		825	900				
WPZ25S751K*	460	615	675	825	1240			860		850	860	850				
WPZ25S781K*	485	640	702	858	1290	900			810		900	810				
WPZ25S821K*	510	670	738	902	1355			950		750	950	750				
WPZ25S911K*	550	745	819	1001	1500	1040			660		1040	660				
WPZ25S102K*	625	825	900	1100	1650		1130	605		1130	605					
WPZ25S112K*	680	895	990	1210	1815	1170			555	1170	555					
WPZ25S122K*	750	980	1150	1320	1980											

* = For Remote Signal Function/Micro Switch add suffix "-IT" to part number. Example: WPZ25S270K-IT.

WPZ25S Series

Thermally Protected Varistors (with micro switch suffix “-IT” option)

Dimensions



WP25S270K - WP25S241K

A: 25.5±1.0	B: 10.0±0.5	C: 1.45±0.1	D: 3.3±0.5	E: 6.9±0.5	F: 5.8±0.5
G: 7.5±0.5	H: 9.55±1.0	I: 1.5±0.1	J: 12.4±0.5	K: 18.4±0.5	L: 5.6±0.5
M: 11.2±0.5	N: 15.2±0.5	O: 21.5±0.5	P: 28±1.0	a: 1.2±0.1	b: 0.5±0.1

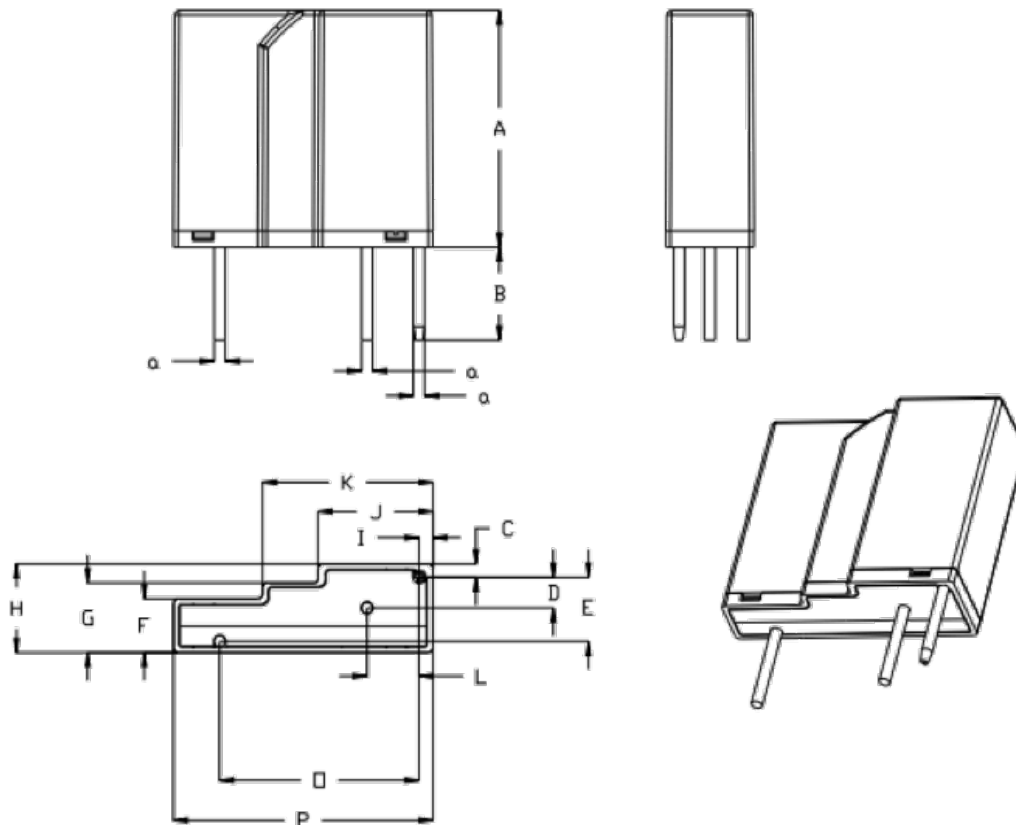
WP25S271K - WP25S122K

A: 25.5±1.0	B: 10.0±0.5	C: 1.45±0.1	D: 3.3±0.5	E: 9.8±0.5	F: 8.7±0.5
G: 10.4±0.5	H: 12.45±1.0	I: 1.5±0.1	J: 12.4±0.5	K: 18.4±0.5	L: 5.6±0.5
M: 11.2±0.5	N: 15.2±0.5	O: 21.5±0.5	P: 28±1.0	a: 1.2±0.1	b: 0.5±0.1

WPZ25S Series

Thermally Protected Varistors (without micro switch)

Dimensions



WP25S270K - WP25S241K

A: 25.5±1.0	B: 10.0±0.5	C: 1.45±0.1	D: 3.3±0.5	E: 6.9±0.5
G: 7.5±0.5	H: 9.55±1.0	I: 1.5±0.1	J: 12.4±0.5	K: 18.4±0.5
O: 21.5±0.5	P: 28±1.0	a: 1.2±0.1	F: 5.8±0.5	L: 5.6±0.5

WP25S271K - WP25S122K

A: 25.5±1.0	B: 10.0±0.5	C: 1.45±0.1	D: 3.3±0.5	E: 9.8±0.5
G: 10.4±0.5	H: 12.45±1.0	I: 1.5±0.1	J: 12.4±0.5	K: 18.4±0.5
O: 21.5±0.5	P: 28±1.0	a: 1.2±0.1	F: 8.7±0.5	L: 5.6±0.5

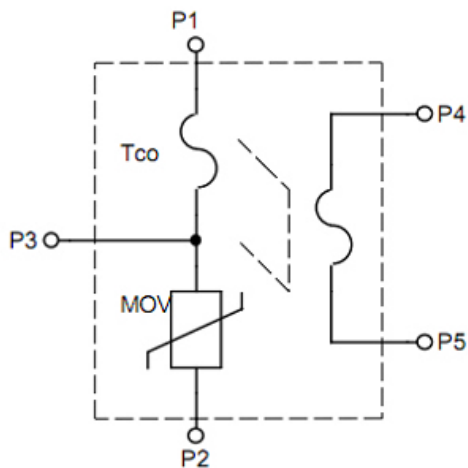
WPZ25S Series

Thermally Protected Varistors

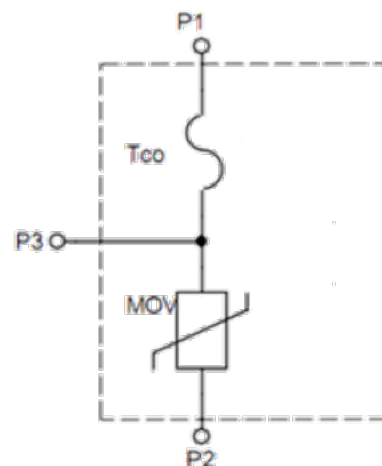
Environmental Specifications

Passive Aging	+85, 1000 hours $\pm 10\%$ typical voltage change
Humidity Aging	+85, 85% RH, 1000 hours $\pm 10\%$ typical voltage change
Thermal Shock	+85 to -40 5 times $\pm 10\%$ typical voltage change
Solvent Resistance	MIL-STD-202, Method 215F
Moisture Sensitivity	Level 1, J-STD-020C

Lead Configurations (with microswitch)



Lead Configurations (without microswitch)



WPZ25S Series

Thermally Protected Varistors

Packing

Plastic Tray
342x245x18mm
48 PCS per tray



Outside Box
350x260x150mm
384 PCS per carton

