



WORLD PRODUCTS INC.® is the Exclusive Agent in North America for Ebusbar® EV DC Relays.

DC HIGH VOLTAGE EV CONTACTOR

EVC400



▶ FEATURES

- With ceramic seal structure, the contact chamber filled with hydrogen mixed educing gas, combined with magnetic blow-out. Voltage relay can cut off load voltage of 1000VDC.
- The outer coil energy saving plate has a low holding power of 3.4W and a coil induction electromotive force of 0.
- The model with auxiliary contact can monitor the position of the main contact in real time, and is suitable for the charging product field where the main contact is required to be monitored in real time.
- The main / auxiliary contacts in a sealed, hydrogen mixed reduced gas environment are not easily contaminated or oxidized even in the harshest environments.products have been approved by CCC, CQC, CE, CB and passed the TS16949 system.

▶ COIL SPECIFICATION

ITEM	NOMINAL VOLTAGE	MAX.STARTING CURRENT(A)	MAX.IMPACT TIME	NOMINAL OPERATING CURRENT(A)	PULL-IN VOLTAGE(V)	DROP-OUT VOLTAGE(V)	MAX. ALLOWABLE VOLTAGE(V)	COIL POWER	NOMINAL FREQUENCY
DC	9~36 V	3.8A	120ms	0.27A@12VDC 0.12A@24VDC	≤9VDC	≥5VDC	36VDC	45.6W (0.12s) Keep 3.4W	20k Hz

▶ CONTACT RATINGS

ITEM	MODEL	Unipolar resistive load(L/R≤1ms)	
		EVC400	
Maximum Continuous Current		400A	
Maximum Cut Off	V	1000V DC	
	A	400A	
Rated Current		400A 750VDC	
Capacitive load		500A 500VDC 1000 ops	
Min. Switching Capacity(Resistive Load)		1A 12VDC	
Short Term Current		450A 60min, 600A 20min, 1200A 30s, 3000A 0.6s	
Contact Resistance		≤0.4mΩ (DC 400A)	
Contact Material		Alloy Cu	
Contact Arrangement		1 A (SPST-NO.)	
General Auxiliary Contacts Current Range		2A 30VDC / 3A 125VAC	
General Minimum Current Auxiliary Contacts		100mA 8VDC	

▶ PART NUMBERING RULE

Series	Rated Current	Auxiliary contactor	Contact Type	Coil Voltage	Coil lead
EVC=Circular type	400:400A	Null:no auxiliary contactor A:With auxiliary contactor	1: 1a Normally Open	A:9~36VDC	D=direct wire without connection plug E=direct wire with connector plug

- Note: 1. specifications are obtained in the environment of 23 degrees C
 2. maximum allowable contact temperature: 150 C; 175 degrees C 2Hmax; 200 degrees C 2min
 3. the finished product withstand pressure / insulation is 50Mohm,
 4.after the maximum limit cut-off, the auxiliary contacts can not meet the pressure insulation
 5. coil resistance test error + 10%

Other specifications can be customized



WORLD PRODUCTS INC.® is the Exclusive Agent in North America for Ebusbar® EV DC Relays.

DC HIGH VOLTAGE EV CONTACTOR

EVC400



INSULATION PERFORMANCE

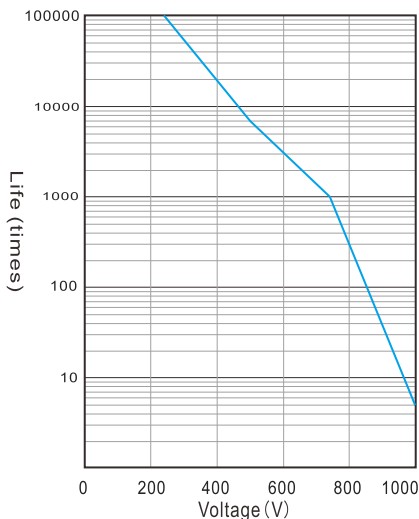
Insulation Resistance		Min.100MΩ 500V DC
Dielectric Strength	Between Open Contacts	2500V AC 60 Sec.10mA
	Between Contact And Coil	2500V AC 60 Sec.10mA
Operate Time(at 20 °C)		≤30ms
Release Time(at 20 °C)		≤10ms

MECHANICAL PARAMETERS

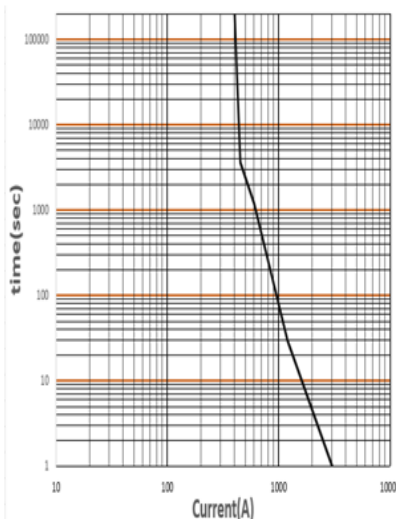
Life	Mechanical Life		2x10 ⁵ Ops
	Electrical Life (Resistive Load) (L/R≤1ms)	450V DC 400A	3,000 Ops
		750V DC 400A	1,000 Ops
Shock Resistance	Functional	Min 196% {20G} 11ms ,(10μs)	
	Destructive	Min 490% {50G} 6ms	
Vibration Resistance	Functional	49% {5G} 10 to 200Hz,(10μs)	
	Destructive	49% {5G} 10 to 200Hz 4h	
Conditions For Operation, Transport And Storage	Ambient Temperature	-40°C to +85°C	
	Humidity	5 to 95% R.H.	
Weight			380g

ENGINEERING DATA

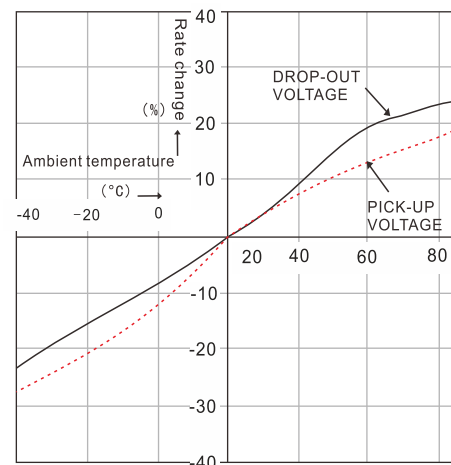
On-off ability curve(Current rating)



Current distribution



Ambient temperature characteristics





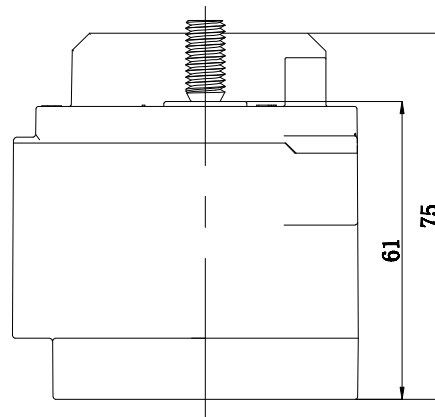
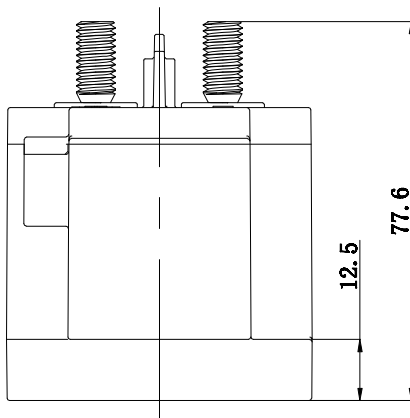
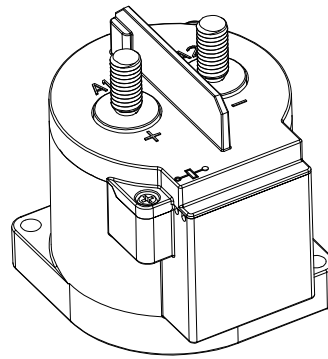
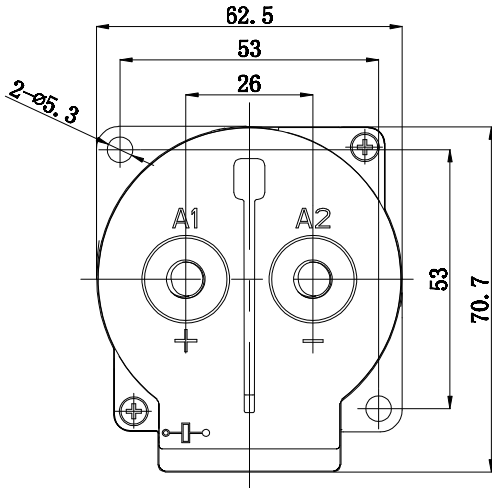
WORLD PRODUCTS INC.® is the Exclusive Agent in North America for Ebusbar® EV DC Relays.

DC HIGH VOLTAGE EV CONTACTOR

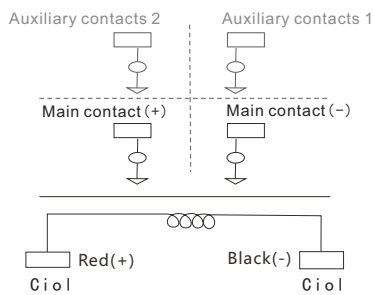
EVC400



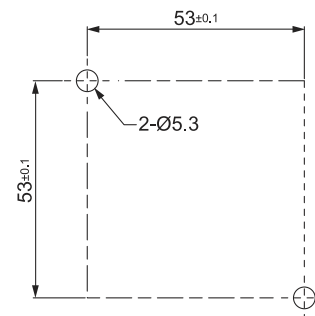
▶ DIMENSIONAL DRAWING



▶ SCHEMATIC



▶ MOUNTING DIMENSIONS



Tolerance:
 dim < 10mm: ±0.3;
 dim = 10~50mm: ±0.6;
 dim > 50mm: ±1.0



WORLD PRODUCTS INC.® is the Exclusive Agent in North America for Ebusbar® EV DC Relays.

EV RELAY APPLICATION PRECAUTIONS:

EV series high voltage DC relay with higher arc cooling capacity hydrogen medium, have the ability of DC high voltage cutting and adopt ceramic sealing explosion-proof structure. Contact part have waterproof, anti oxidation and other functions. It can be widely used in electric vehicles, hybrid vehicles, fuel cell vehicles, construction machinery, photovoltaic power generation, wind power generation, battery charging and discharging system, DC voltage power control and other DC high voltage fields.

Notes:

- All types of relay terminals have polarity difference. Please use correctly according to the mark on each surface of the product. When the connection polarity is reversed, the electrical characteristics promised in the specification will not be guaranteed.
- The rated value of contact parameters are the value of resistive load. Without measures, there may be a decline in electrical life and the occurrence of cut off. If using diodes, it may lead to a decline in cutting performance
- During the action voltage test of double coil relay, voltage can not be risen slowly. Please drive the product coil through the fast rising (step type power supply mode), otherwise the relay will not act.
- Don't put the relay in the environment that over normal operating temperature (-40 degrees C to 85 C) for a long time.
- Please avoid installing near in strong magnetic field (around transformer and magnet) and hot objects.
- Make sure the main power line is closest to the relay leading-out terminal, then installed tightly according to the order of the flat washer, spring washer and nut. Incorrect connection order may cause serious overheating, and lead to the insulation layer melting of connecting cable.
- Screw locking torque of every part should be accordant with following chart in case of breakage.

▶ Part I Leading-out terminal installation:

Nut	EVR20	EVR40	EVR100	EVR120	EVR150	EVR200	EVR250	EVR300	EVC50	EVC100	EVC135	EVC150	EVC250	EVC350	EVC400
M4															
M5		3N.m~4N.m							3N.m~4N.m	3N.m~4N.m	3N.m~4N.m				
M6			6N.m~8N.m	6N.m~8N.m	6N.m~8N.m										
M8						10N.m~12N.m	10N.m~12N.m	10N.m~12N.m				10N.m~12N.m	10N.m~12N.m	10N.m~12N.m	10N.m~12N.m

Remarks:EVC050,EVC100 Use screws;

▶ Part II Relay installation:

Screws	EVR20	EVR40	EVR100	EVR120	EVR150	EVR200	EVR250	EVR300	EVC50	EVC100	EVC135	EVC150	EVC250	EVC350	EVC400
M4									2N.m~3N.m	2N.m~3N.m	2N.m~3N.m				
M5	3N.m~4N.m	3N.m~4N.m	3N.m~4N.m	3N.m~4N.m	3N.m~4N.m	3N.m~4N.m						3N.m~4N.m	3N.m~4N.m	3N.m~4N.m	3N.m~4N.m
M6	5N.m~6N.m	5N.m~6N.m	5N.m~6N.m	5N.m~6N.m	5N.m~6N.m	5N.m~6N.m	5N.m~6N.m	5N.m~6N.m				5N.m~6N.m	5N.m~6N.m	5N.m~6N.m	5N.m~6N.m
M8															

Remarks: a. Screw strength must be in compliance with the requirements of grade 8.8 or above; (GB/T70.1)
b. The effective locking thread length must be greater than 5mm;

- Please avoid adhering grease and other foreign material on the leading-out terminal; Please use the following specifications of the connection wire, otherwise it may cause abnormal heat of the terminal part.

Product	EVT150	EVR20	EVR40	EVR100	EVR120	EVR150	EVR200	EVR250	EVC50	EVC100	EVC135	EVC150	EVC250	EVC350	EVC400
Nominal sectional area (Min)		3mm ²	10mm ²	35mm ²	40mm ²	50mm ²	60mm ²	75mm ²	10mm ²	35mm ²	40mm ²	70mm ²	150mm ²	185mm ²	240mm ²

9.Packing specification

Each box	EVT150	EVR20	EVR40	EVR100	EVR120	EVR150	EVR200	EVR250	EVC50	EVC100	EVC135	EVC150	EVC250	EVC350	EVC400
Specifications D*W*H	475*328*113mm	362*357*146mm	407*337*131mm	482*457*91mm	482*457*91mm	532*432*91mm	557*577*96mm	557*577*96mm	412*407*146mm	412*407*146mm	412*407*146mm	482*382*106mm	482*382*106mm	507*402*119mm	507*402*119mm
Number	40pcs	40pcs	40pcs	20pcs	20pcs	20pcs	20pcs	20pcs	60pcs	60pcs	60pcs	20pcs	20pcs	20pcs	20pcs
Net weight	5.4kg	6.4kg	7.2kg	7kg	7kg	8kg	10kg	10kg	10.8kg	10.8kg	10.8kg	7.6kg	7.6kg	11kg	11kg
Monomer	0.13kg	0.16kg	0.18kg	0.35kg	0.35kg	0.4kg	0.4kg	0.4kg	0.18kg	0.18kg	0.18kg	0.38kg	0.38kg	0.55kg	0.55kg

Note: there is a shockproof bubble bag in the packing box, and there is shockproof foam inside the box;

10.In the case of accidental fall of the relay, see intended not to use.

11.Attentions and product technical data should be updated termly, and copyright by Ebusbar all.

Other specifications can be customized